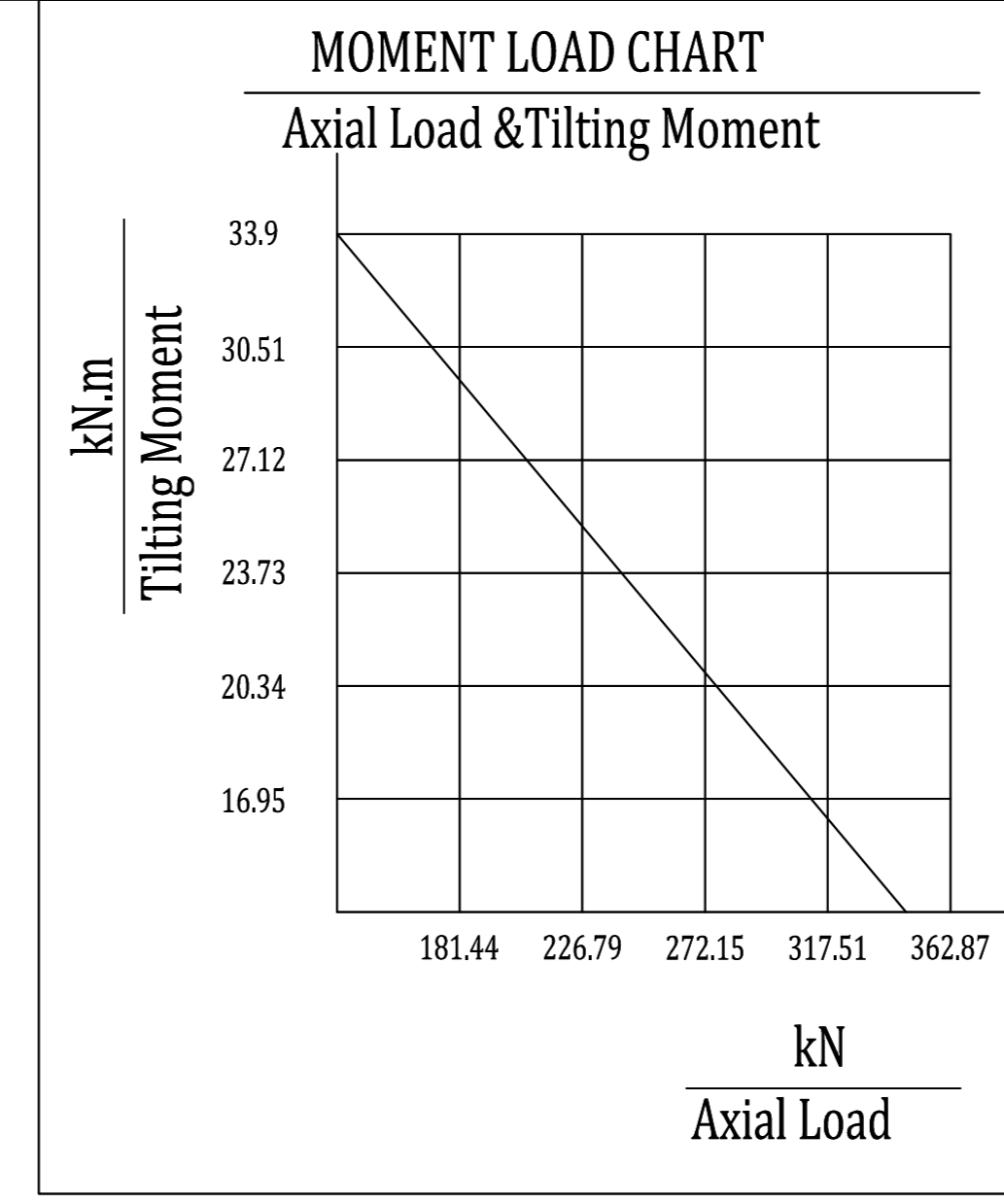


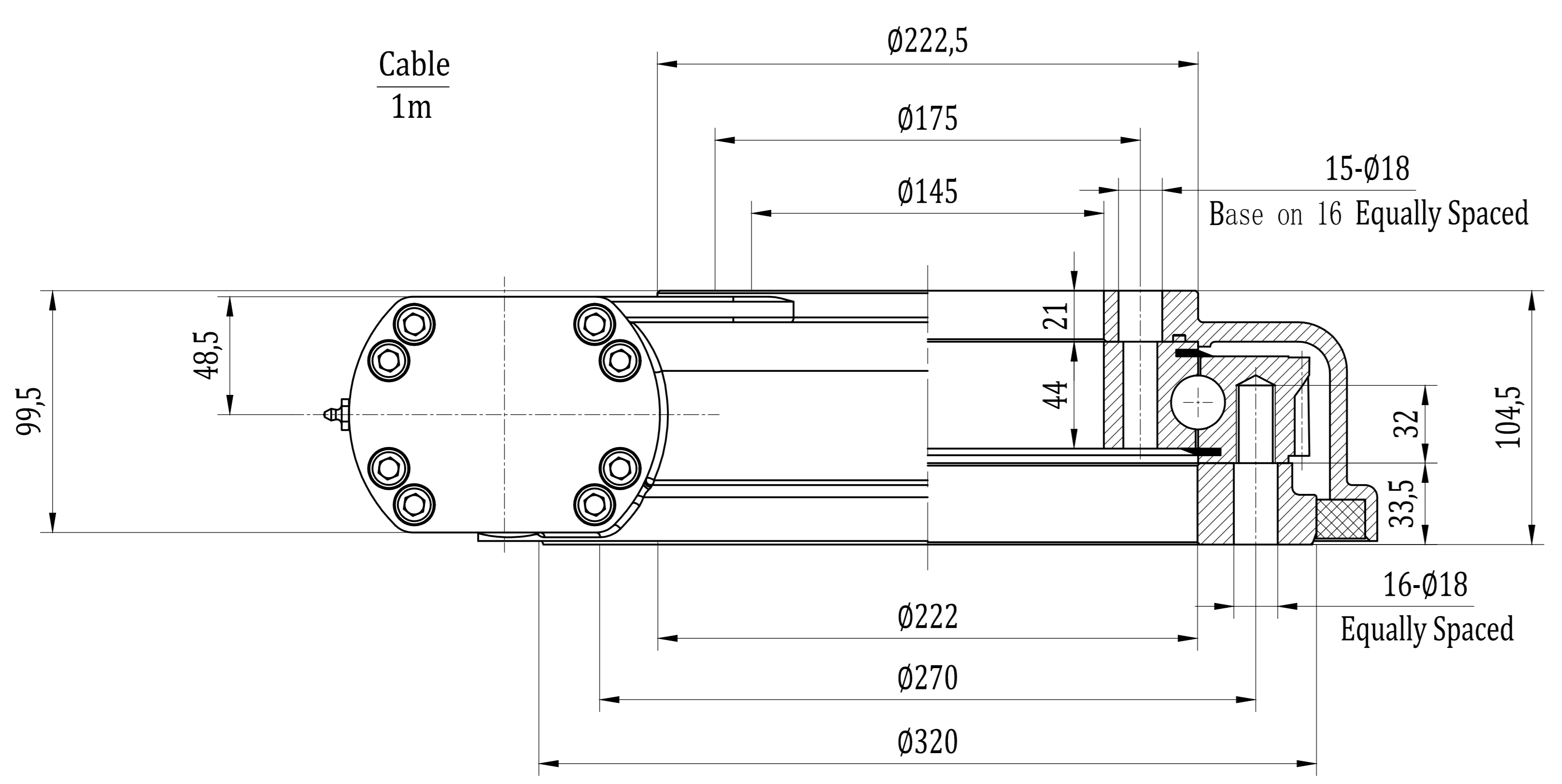
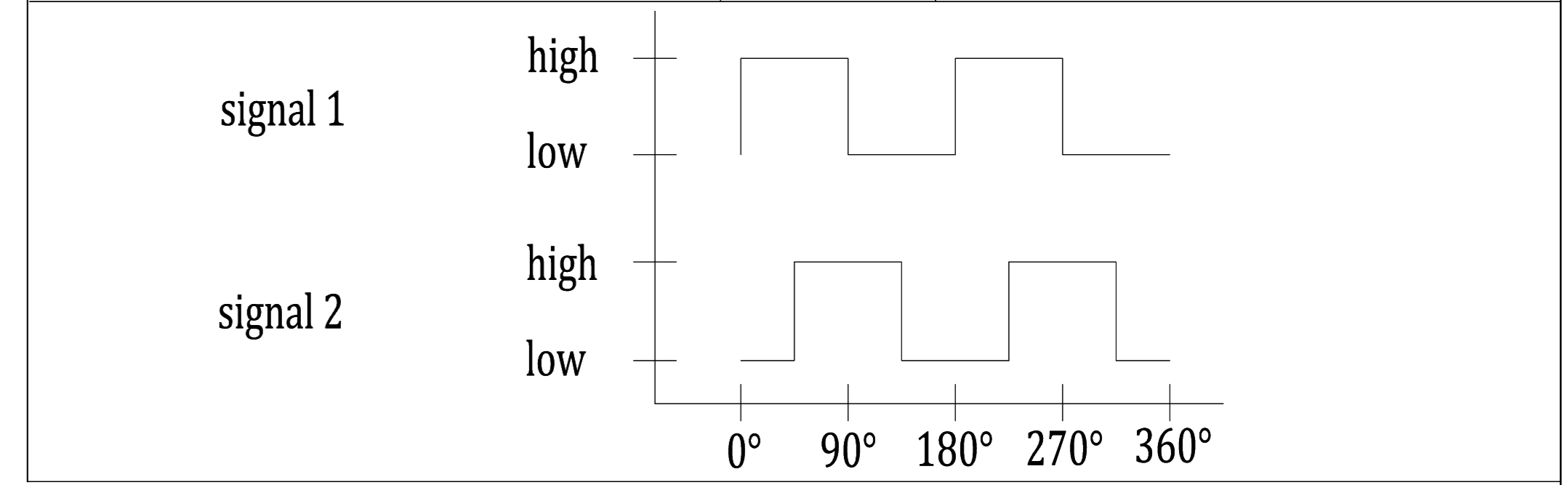
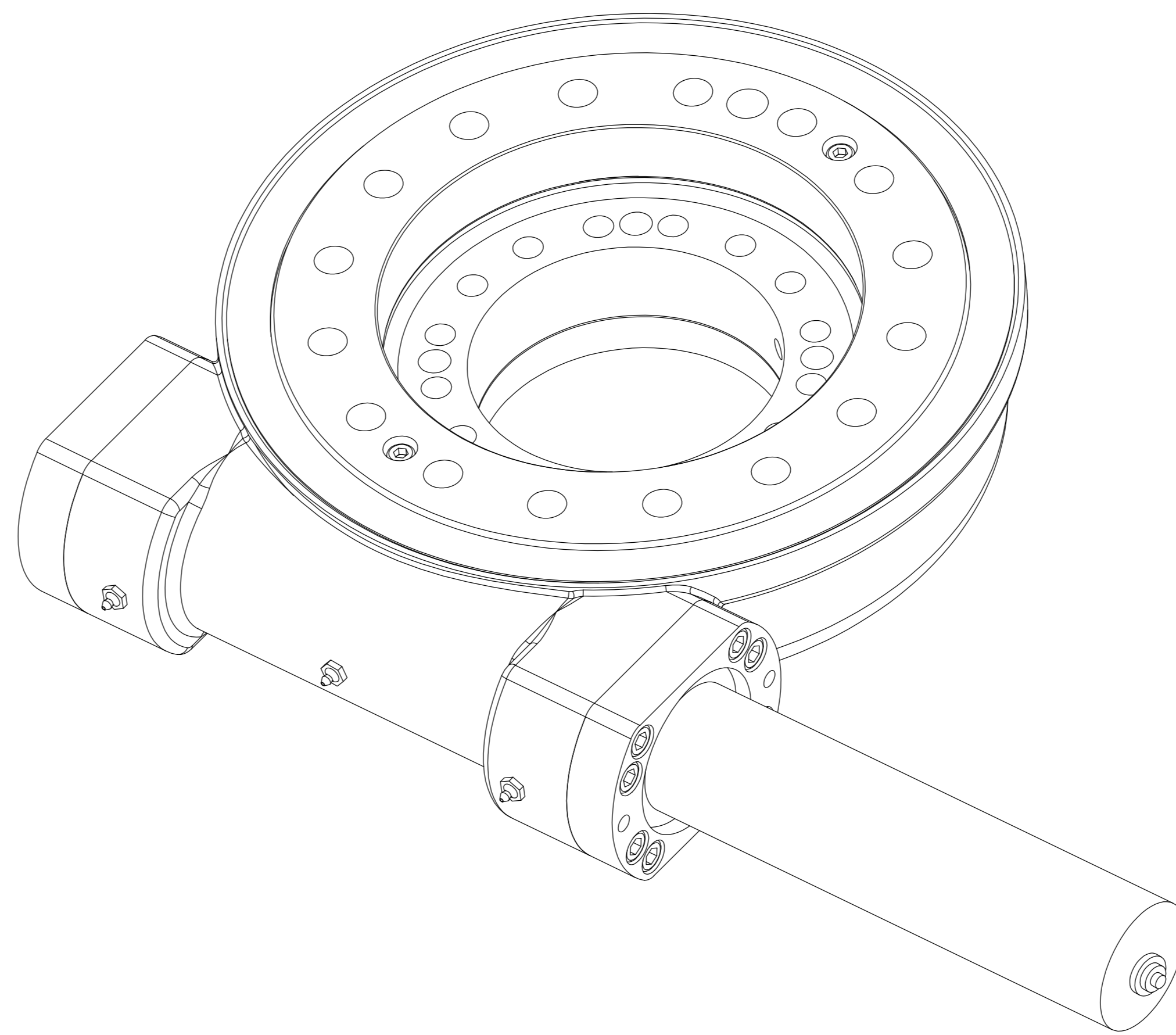
- Wire Define:
- Pin 1 (black) motor -
 - Pin 2 (red) motor +
 - Pin 3 (gray) Hall -
 - Pin 4 (brown) Hall +
 - Pin 5 (blue) Hall A
 - Pin 6 (orange) Hall B
 - Pin E (green) GND



Slewing Drive Performance Parameters		
Rated Output Speed	0.049rpm	
Output Torque	2.44 kN.m	1.8x10 ³ lbf.ft
Tilting Moment	33.9 kN.m	25x10 ³ lbf.ft
Holding Torque	38.7 kN.m	29x10 ³ lbf.ft
Static Axial Load Rating	338 kN	76x10 ³ lbf
Static Radial Load Rating	135 kN	30x10 ³ lbf
Gear Ratio	61:1	
Precision	≤0.17°	

24VDC Motor Performance Data(24H/30/100)	
Rated Output Torque	100 N.m
Rated Output Speed	3 rpm
IP Class	IP 65
Gear Ratio	236:1
Rated Current	≤3.6A

MAGNETIC PULSE GENERATOR DATA		
Output type	-	voltage output
pull-up resistor	-	yes
Output signal	-	2 square wave signals
Phase quadrature	-	90°
Impulses per revolution	ppr	2,channels A and B
Operating voltage	VDC	UN=12(5... 24)
Operating current	mA	max. 12 (U=12V)
Deviation of pulse width	-	max. 15°
Deviation of phase shift	-	max. 15°
Output voltage(low level)	VDC	max. 0.4 (20mA)
SIGNAL RISE TIME	ns	85
SIGNAL DECAY TIME	ns	60
Operation temperature	°C	-40 ... +85



REV	DATE	REVISER	REVISER				
DESIGNED BY	2019/8/1	Li Ming	www.coresundrive.com Coresun Drive Equipment Changzhou Co., Ltd.				
CHECKED BY	2019/8/1	Rui Wang					
APPROVED BY	2019/8/1	Shane Zhang					
ALL PROPRIETARY RIGHTS IN THE SUBJECT MATTER HERE OF ARE RESERVED, AND NO PERMISSION IS GRANTED OR TO DISCLOSE REPRODUCE THIS PRINT IN WHOLE OR IN PART, ANY OF THE INFORMATION TO OTHERS.			WEIGHT	SCALE	<h2>Slewing Drive</h2>		
			56kg	1 : 3			
			SIZE	A3	SC9-61-RC-24H30100	REV	
			SHEET	1 / 1		A	